

FEATURES

- Solid metal construction for durability and reliability
- Quarter-turn washerless ceramic disc valves
- 1.2 gal/min (4.5 l/min) maximum flow rate
- Includes soft touch drain
- Meets CalGreen requirements for lavatory faucets
- Complements the Script collection

CODES/STANDARDS APPLICABLE

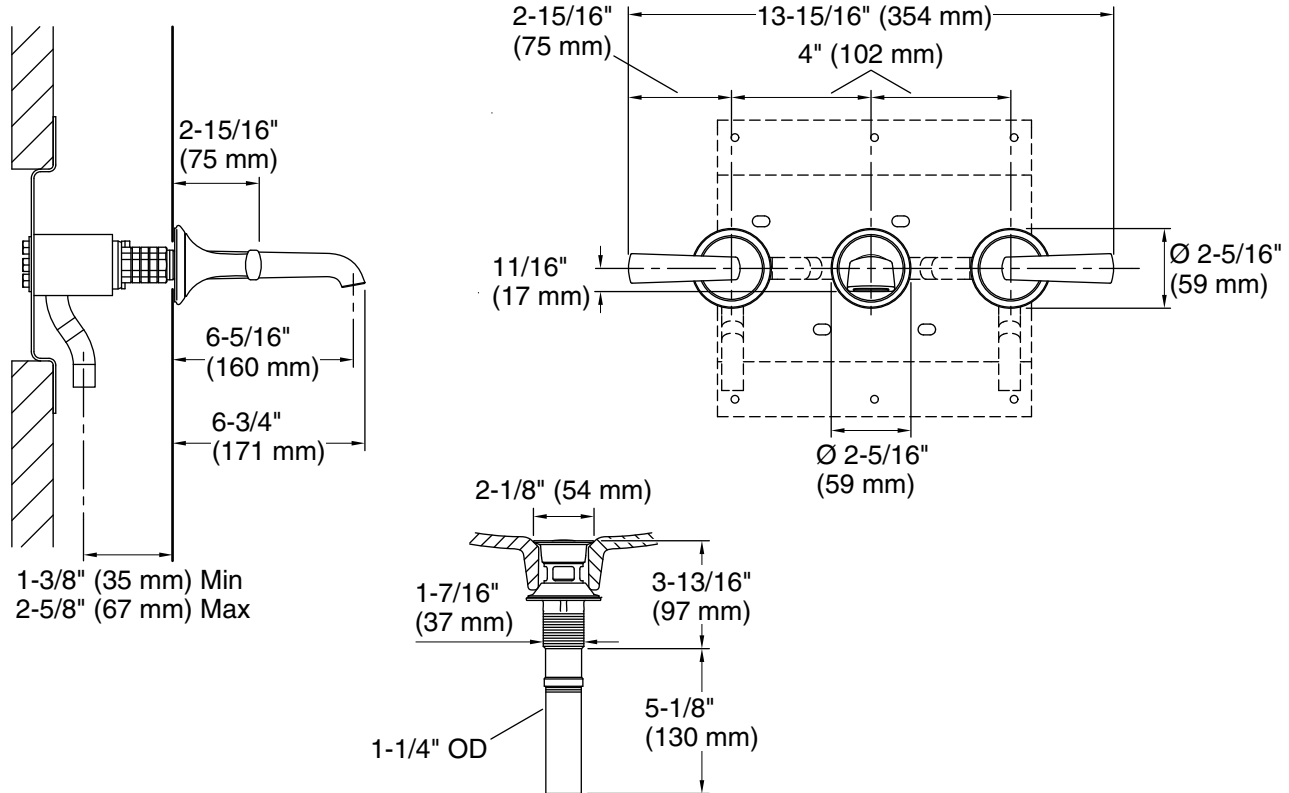
Specified model meets or exceeds the following:

- ADA* (pending)
- ASME A112.18.1/CSA B125.1 (pending)
- CSA B651* (pending)
- EPA WaterSense® (pending)
- ICC/ANSI A117.1 (pending)
- NSF 61 (pending)
- OBC* (pending)
- All applicable US Federal and State material regulations



P25011

* Compliant when installed to the specific requirement of this regulation



Soft Touch Drain

SPECIFIED MODEL

Model	Description	Finishes	
P25011-LV	Script Wall-Mount Sink Faucet, Lever Handle	<input type="checkbox"/> CP Polished Chrome	<input type="checkbox"/> AD Nickel Silver
		<input type="checkbox"/> BCH Brushed Cashmere	
Required Accessory			
P29304-00	Rough-in	<input type="checkbox"/> N/A	

We reserve the right to make revisions without notice in the design of products or in packaging unless this right has specifically been waived at the time the order is accepted.