



**Description:**

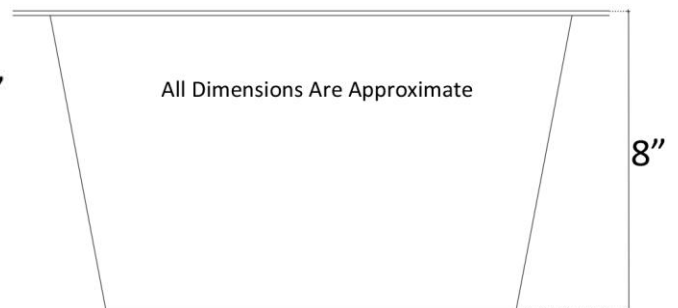
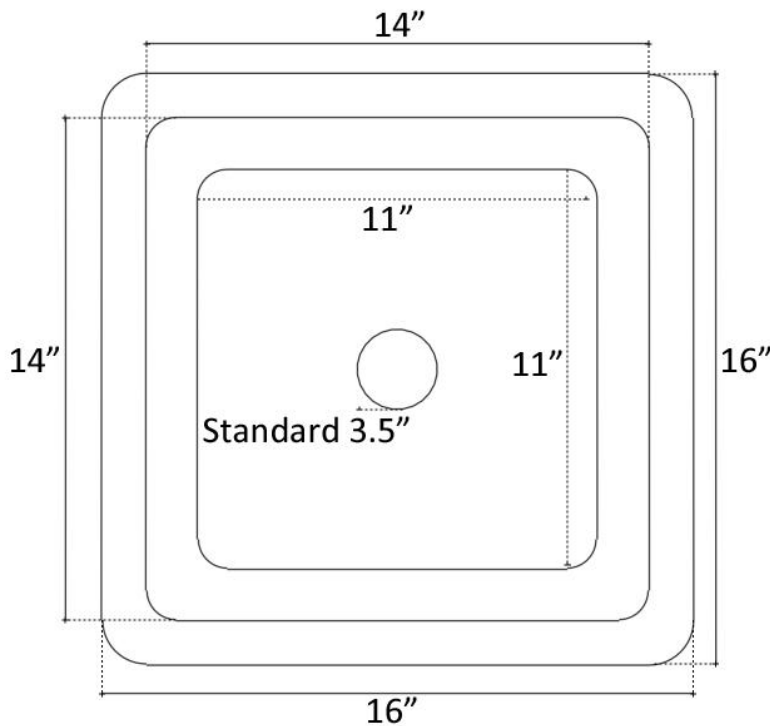
- Stainless Steel
- Drop-In or Undermount
- Use standard 3.5" drain
- Clean with mild soap  
No abrasive chemicals

**Available Finishes:**

- SS** Satin Stainless Steel
- PS** Polished Stainless Steel

**Available Drains:**

- D003** 3.5" Basket Strainer
- D007** Disposal Flange



**DIMENSIONS WILL VARY. DO NOT** use this sheet as a guide for countertop cuts.